

# SPECIFICATION

## FOR APPROVAL

Customer : \_\_\_\_\_

Product Name : SIREN \_\_\_\_\_

Model Name : VPSG1924F \_\_\_\_\_

Drawing No. : VS20200315005 \_\_\_\_\_

### Signature of Voise

Approved by	Checkde by	Issued by	Date



福爱斯电子有限公司  
VOISE ELECTRONICS CO.,LTD.

Office Add:Haoyangguang B-302# No.968 Baizhang Road,Ningbo China  
Factory add: Shishan Industrial Park Moushan Town Yuyao City China  
Tel:86-0574-87471601 Fax:86-0574-87471603 P.C.315000  
Http://www.nbvoise.com E-mail:sales@nbvoise.com

<b>Specification for SIREN</b>		<b>Page</b>	<b>2/6</b>
Model No.: VPSG1924F		<b>Revision No.</b>	<b>1.0</b>
		<b>Drawing No.</b>	<b>VS20200315005</b>

## Table of contents

1. Revision
2. Scope
3. General Characteristics
4. Electrical and Acoustic Characteristics.
5. Reliability Test
6. Measurement Method & Frequency Response curve
7. Dimensions
8. Packing

### 1. Revision

Rev.No.	Date	Page	Description of Revision
1.0	2020/3/15		Preliminary

<b>Specification for SIREN</b>		Page	3/6
Model No.:	VPSG1924F	Revision No.	1.0
		Drawing No.	VS20200315005

## 2. Scope

This product specification is applied to the Siren in alarm systems. Please contact us when using this product for any other applications than described in the above.

## 3. General Characteristics

- 3.1 Out-Diameter : 47x39 mm
- 3.2 Height : 23 mm
- 3.3 Weight : 35 g
- 3.4 Operating Temperature : -20~+60°C without loss of function
- 3.5 Store Temperature : -30~+70°C without loss of function

## 4. Electrical and Acoustic Characteristics.

Test condition : 15 ~ 35 °C Temp., 25% ~ 75% RH, 86~106 kPa Refer to IEC60268-1

No	Items	Specification
1	Rated Voltage	24V DC
2	Working Voltage	16-28V DC
3	Max Rated Current	90mA/24VDC
4	Min Sound Preesure Level	108dB/24VDC/30cm
5	Tone Nature	Fast Siren
6	Housing Material	ABS
7	Color	Black
8	IP class	CE Certification

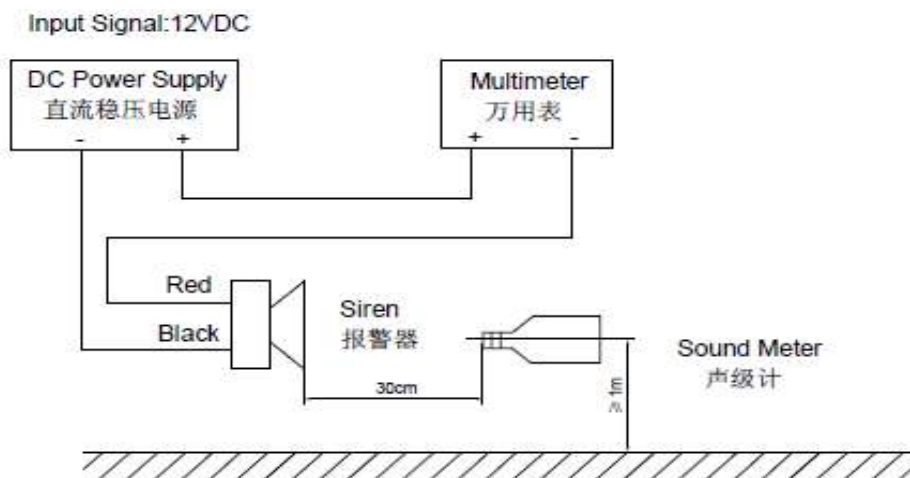
<b>Specification for SIREN</b>		Page	4/6
		Revision No.	1.0
Model No.:	VPSG1924F	Drawing No.	VS20200315005

## 5. Reliability Test

After test(1~6item), the buzzer S.P.L . difference shall be within  $\pm 8\text{dB}$ , and the appearance not exist any change to be harmful to normal operation

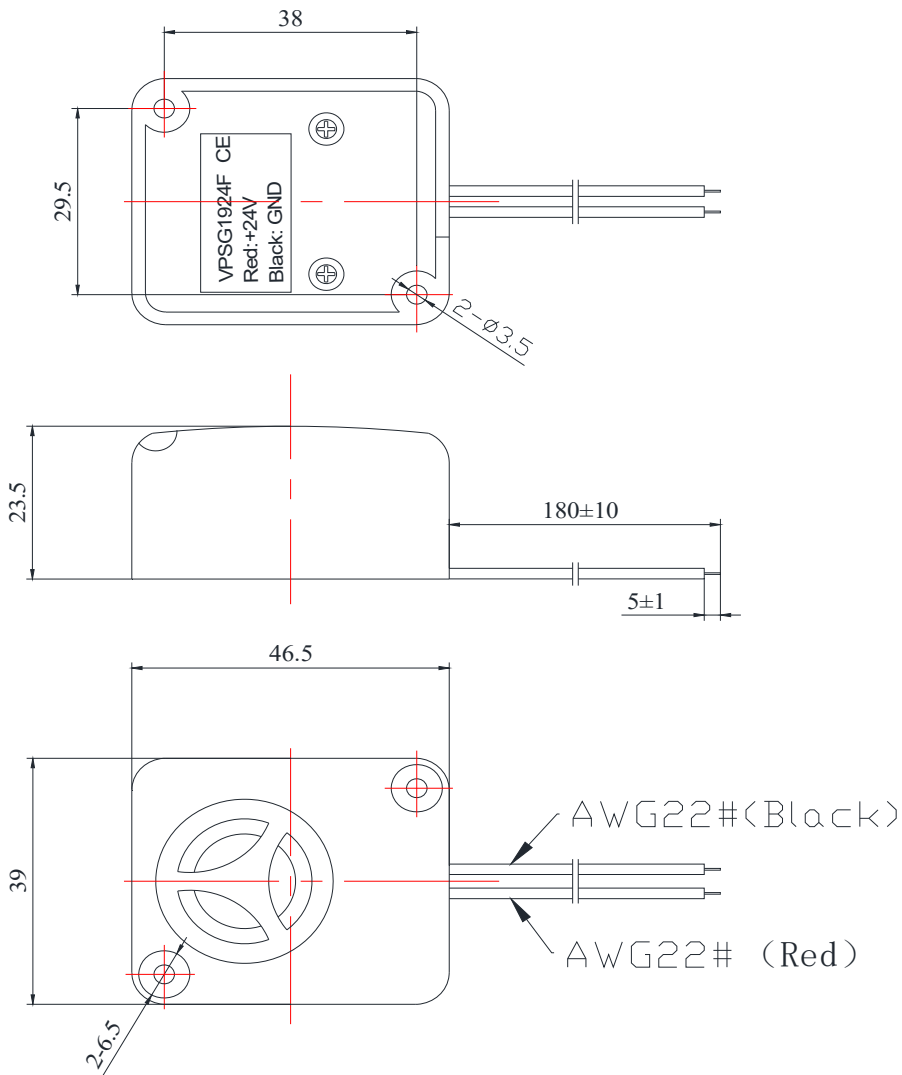
No	Items	Specification
1	High Temp. Test	After being woked in a chamber with $+70\pm 2\text{ }^\circ\text{C}$ for 100h and then being placed in natural condition for 2h, and then check.
2	Low Temp. Test	First being worked in a chamber with $-20\pm 2\text{ }^\circ\text{C}$ for 100h and then being placed in natural condtion for 2h, and then check.
3	Humidity Test	After being placed in a chamber with 90 to 95%R.H. at $+40\pm 2\text{ }^\circ\text{C}$ for 100 h and then being placed in natural condition for 2h ,and then check.
4	Shock Test	Under acceleration of peak $100\text{m/s}^2(10\text{g})$ & half sine wave pulse( pulse time is 16ms) condition. Run into product 1000 times continuously.
5	Vibration Test	Being applied vibration of amplitude of 1.5mm with 10-30Hz band of vibration frequency,X.Y.Z.3 direction.2 hours each, total 6 hours.
6	Drop Test	Free drop fram 0.5 meter height to a board 20mm thick hard wood board. and be nothing mechanical damage. tatol 6 times.

## 6. Measurement Method

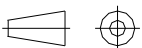


Specification for SIREN		Page	5/6
		Revision No.	1.0
Model No.:	VPSG1924F	Drawing No.	VS20200315005

## 7. Dimensions



FIRST ANGLE PROJECTION



UNIT : mm

Tolerance : ±0.2

Specification for SIREN		Page	6/6
		Revision No.	1.0
Model No.:	VPSG1924F	Drawing No.	VS20200315005

## 8. Packing

Each minimum package unit of products shall be in a carton box and it shall be clearly marked with Part Number ,quantity and outgoing inspection number.

There shall be no mechanical damage on products during in storage.

Total:200 pcs per box  
Size:26.5X21.5X27CM  
G.W.:7.5kg ; N.W.:6.2kg