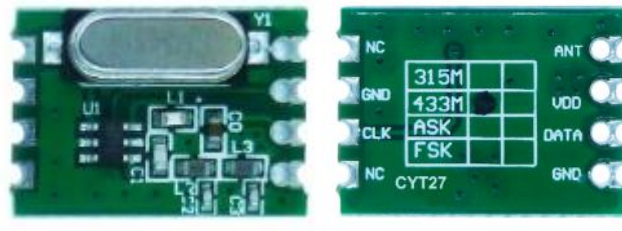


**Type: ASK/OOK/FSK Transmitter Module**  
**Model: CYT27****1. DESCRIPTION:**

CYT27 ASK/OOK/FSK wireless transmitter module gets excellent performance with ISM frequency band. With the adoption of branded industrial RF wireless data transmission chipsets, it has the advantages at strong transmission power, low voltage and easy to pass FCC/CE certificates. It can do wireless signal input to the data signal output without any external circuit. Users only need to decode the data plus a simple circuit and then any wireless products development can be easily achieved.

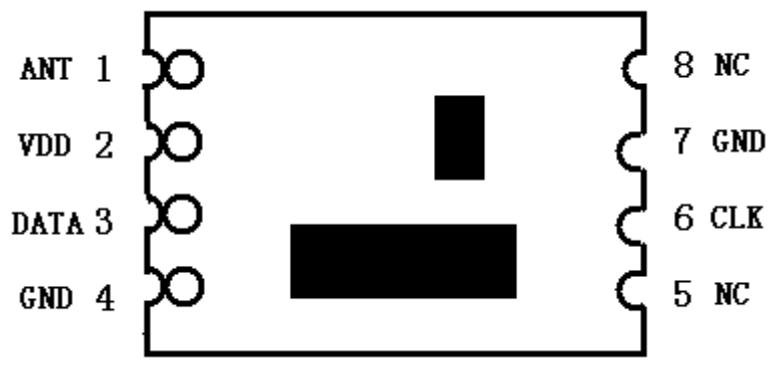
**2. FEATURES:**

- Frequency: 240 MHz – 960 MHz (ASK/OOK/FSK);
- High output power: +14dBm;
- Low operation voltage: VCC = 1.8 to 3.6V;
- Static current: <20nA; 50% duty ratio transmitting current: 18.5mA;
- Frequency bandwidth:  $\pm 30$ KHz;
- FSK deviation:  $\pm 35$ K
- Circuit shape: PLL (10PPM), stable working frequency;
- Temperature Range: -40°C ~ 85°C
- The range can be up to 500m in the open space when matching with CY68
- Dimension: 17.9\*12.7\*5.5mm

### 3. APPLICATION:

- Remote Gate Controls, brake
- Remote Keyless Entry
- Mechanical and electrical control of strong interference;
- Wireless Industrial Remote Control
- Wireless Data Transmission
- Remote Control Curtain

### 4. PIN DEFINITION:



Pin Name	Pin Definition
ANT	Antenna Out
VDD	Connect to positive power supply
DATA	Data In
GND	Ground
NC	Empty
CLK	Empty (only for interior collocation )
GND	Ground
NC	Empty

## 5. ELECTRICAL CHARACTERISTICS:

Condition: Ta=25°C Vcc=1.8V-3.6V VDD-GDN

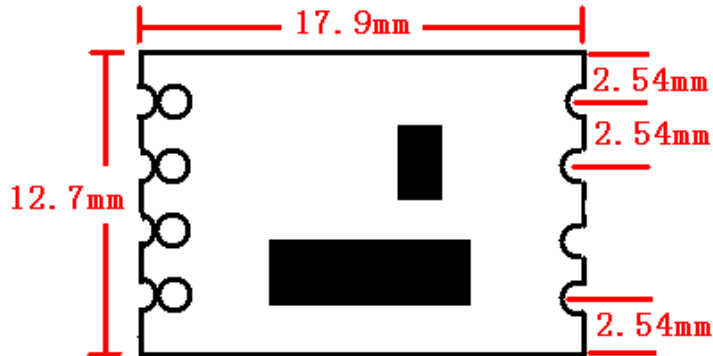
Characteristics	Value			Unit	Condition
	Min.	Typ.	Max.		
Frequency	240		960	MHz	
Modulation Mode	ASK/OOK				
Output Power		14		dBm	3.6V/50Ω
Data Rate	0.5	2.4	30	Kbps	
Working Voltage	1.8		3.6	V	
Supply Current		18.5		mA	
Frequency Bandwidth		±30		KHz	
Working Temperature	-40		+85	°C	

Condition: Ta=25°C Vcc=1.8V-3.6V VDD-GDN

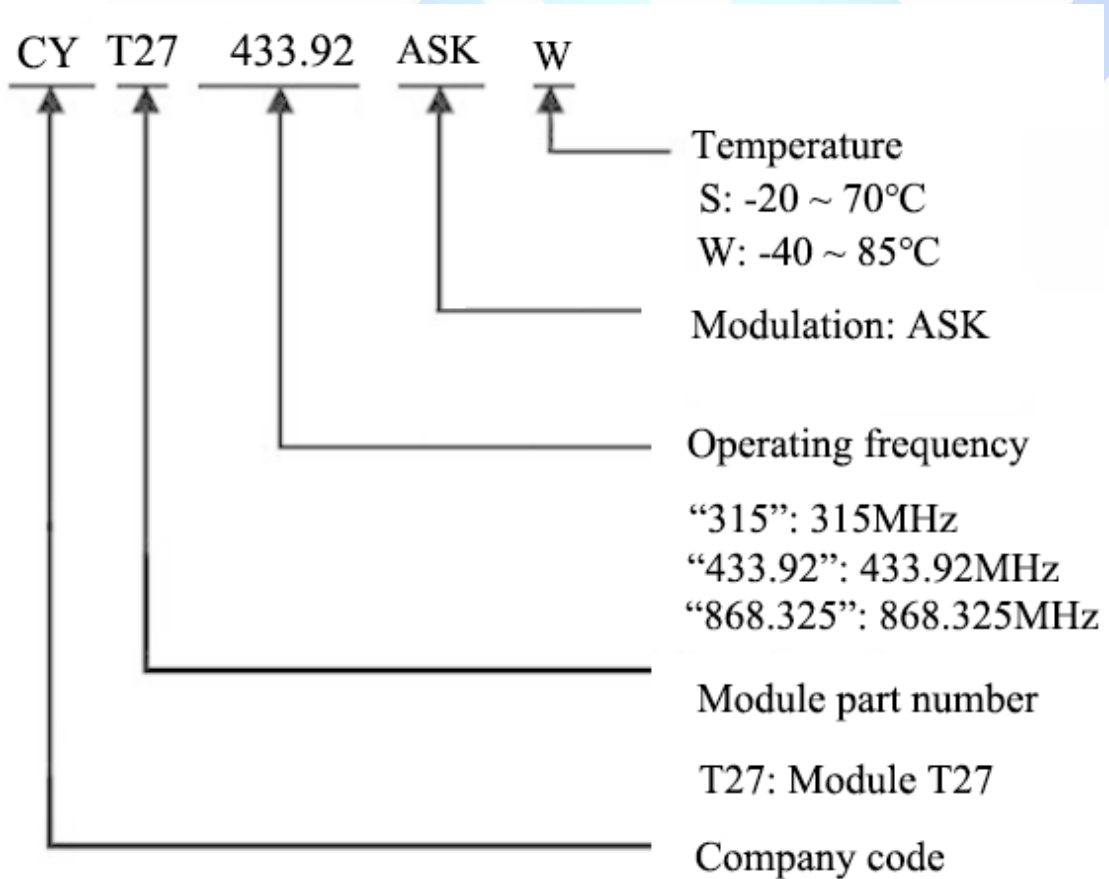
Characteristics	Value			Unit	Condition
	Min.	Typ.	Max.		
Frequency	240		960	MHz	
Modulation Mode	FSK				
Output Power		14		dBm	3.6V/50Ω
Data Rate	0.5	2.4	30	Kbps	
Working Voltage	1.8		3.6	V	
Supply Current		18.5		mA	
Frequency Bandwidth		±30		KHz	
Working Temperature	-40		+85	°C	

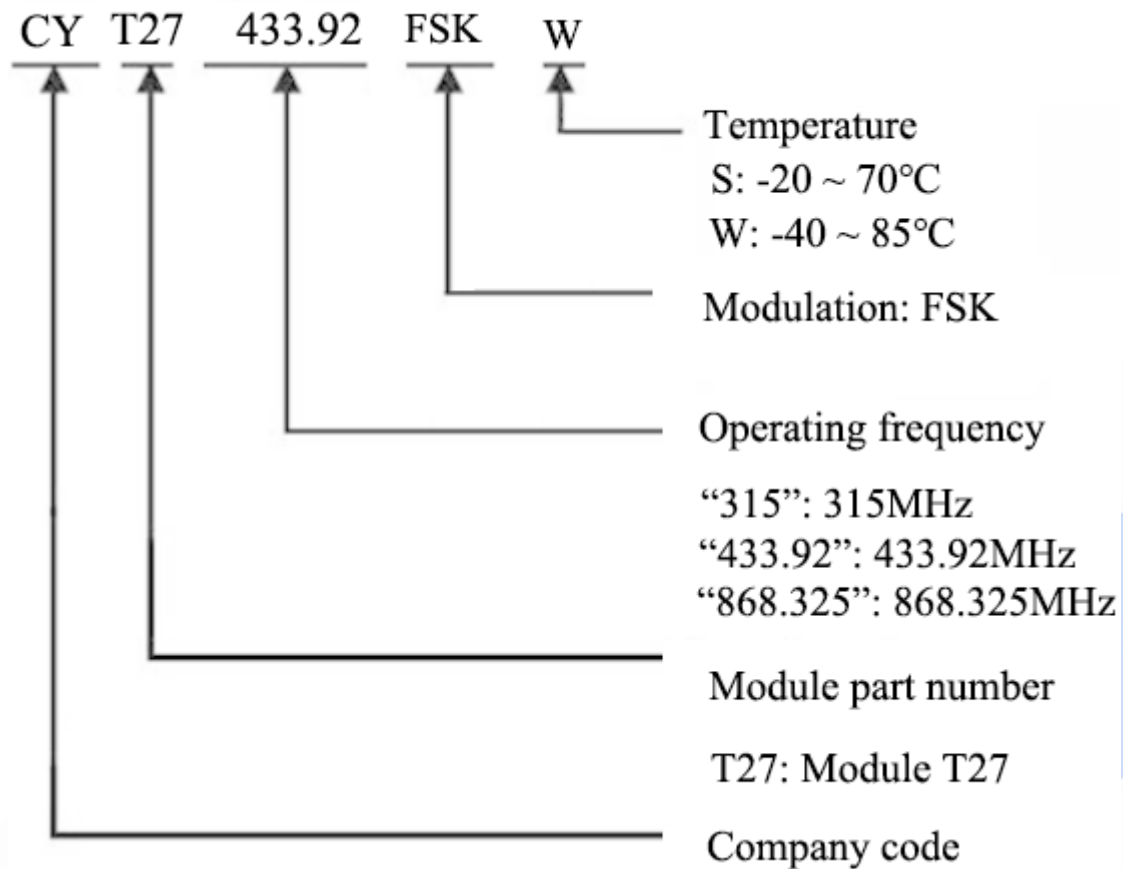
**Note:** please let me know if you need high data rate, or else we will send 2.4Kbps as default.

6. MECHANICAL SIZE: (unit: mm)



7. ORDER INFORMATION





For more information and assistance, please kindly contact us as follows:

**CY WIRELESS TECHNOLOGY LIMITED**

Add: 1407, Block C, Tairan Building, 8th Tairan Road, Futian District,

Shenzhen, Guangdong Province, China

Website: [www.rficy.com](http://www.rficy.com)

Email: [info@rficy.com](mailto:info@rficy.com)