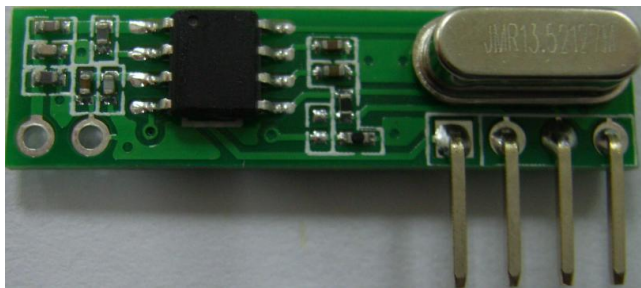


Type: ASK/OOK Super-Heterodyne Receiver Module
Model: CY61-XXX

1. DESCRIPTION:

CY61 is an ASK/OOK receiver super-heterodyne module is designed specifically for remote-control and wireless security receiver operating at 315/433.92MHz in ISM frequency band. It has high receiving sensitivity and low price. Any circuit that can be done without additional wireless signal input to the data signal output. Users only need to add simple data decoding circuit and it can easily achieve the development of wireless products.



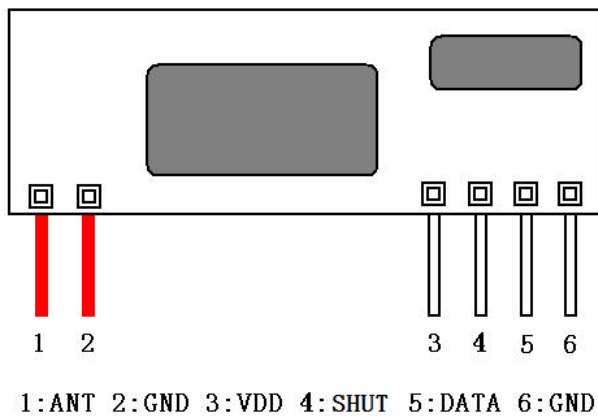
2. FEATURES:

- Receiving Sensitivity: -110dBm
- Frequency: 315M/433.92MHz (custom frequency is available)
- Low cost ASK radio super-heterodyne receiver
- Low Power consumption, [5.0V@315Mhz](#), 4.8mA. [5.0V@433.92Mhz](#), 6.8mA. The continuously data transmission data rate can reach 2.4K, when it's in energy saving mode, the consumption can be as low as 50nA.
- Good selectivity and stray radiation inhibition ability, it's easy to go through the CE/FCC international certification approval.
- Good capable of suppressing the vibration radiation, can work with multiple receiving module (such as one transmitter with multiple receivers) and they do not interfere with each other and there is no affection over the receiving distance.
- Operation temperature: -20°C ~70°C (It can custom to -40~85°C upon requests)
- Supply voltage: 3.6~5.5v
- Compatible with most (ASK/OOK) transmitters
- Size: 30*7.7*5mm

3. APPLICATION:

- Automotive (RKE)
- Garage Door, Barrier, Roller shutter and gate openers
- Smart home system
- Wireless Door Bell
- Remote controls
- Wireless Controller
- Alarm and security system
- Wireless data transmission

4. PIN DEFINITION:



Please note: CY61 is come with standard 4 PINs (without the red colored pins). Please notify us if you would like 6 PINs.

Pin Name	Pin Definition
1.ANT	RF signal input pin
2.GND	Connect to negative power supply
3.VDD	Connect to positive power supply
4.SHUT	Data output or Energy Saving Mode (Optional)
5.DATA	Data output pin
6.GND	Connect to negative power supply

Note1: ANT pin is a 50 ohm antenna input. The length is about:

- 23cm for 315MHz
- 17cm for 433.92MHz



5. ELECTRICAL CHARACTERISTICS:

Condition: Ta=25°C Vcc=5.0V Frequency=315MHz

Parameters	Symbol	Status	Reference			Unit
			Min.	Typical	Max.	
Frequency	Fc		314.90	315.00	315.10	MHz
Modulation			ASK			
Sensitivity		50 Ohm antenna direct input/1K Kbps		-110		dBm
Receiving Bandwidth				200		KHz
Receiving Startup time	Ton				5	ms
Working Voltage			3.6	5.0	5.5	V
Working Current	IRC		4.6	4.8	5.0	mA
Decoding output/highest voltage		RL=500K	3.5		5	V
Decoding output/Lowest voltage					0.5	V
Working Temperature			-20		+70	°C

Condition: Ta=25°C Vcc=5.0V Frequency=433.92MHz

Parameters	Symbol	Status	Reference			Unit
			Min.	Typical	Max.	
Frequency	Fc		314.90	315.00	315.10	MHz
Modulation			ASK			
Sensitivity		50 Ohm Antenna direct input/1K Kbps		-110		dBm
Receiving Bandwidth				200		KHz
Receiving Startup time	Ton				5	ms
Working Voltage			3.6	5.0	5.5	V
Working Current	IRC		4.6	4.8	5.0	mA
Decoding output/highest		RL=500K	3.5		5	V

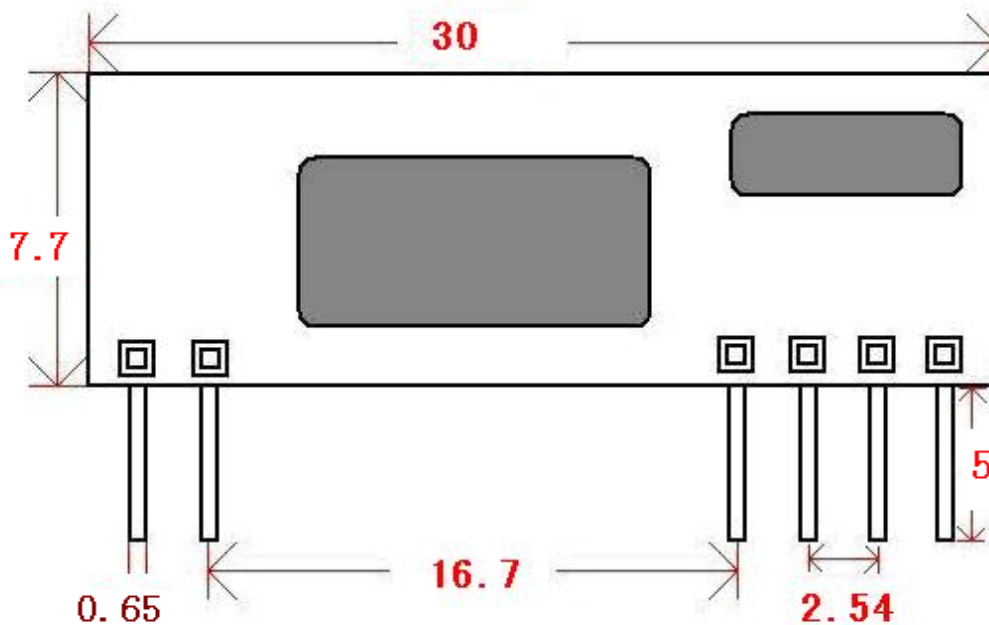


CY61

voltage						
Decoding output/Lowest voltage					0.5	V
Working Temperature			-20		+70	°C

6. MECHANICAL SIZE: (UNIT: mm)

UNIT : mm



7. ORDER INFORMATION:

CY61-315M

CY. Brand Name

61. Module model number

315M.Frequency is in 315MHz



Pre-Caution:

The driven current of CY61 data output pin is weak, so if direct the single chip microcomputer, please don't add any pull up or pull down resistors on the MCU' I/O port. The MCU internal pull-up and pull down resistors need to be in disabled state too.

PCB dimension has tolerance of 3%.

For more information and assistance, please contact us as follows:

CY WIRELESS TECHNOLOGY LIMITED

Add: 1407, Block C, Tairan Building, 8th Tairan Road, Futian District,

Shenzhen, Guangdong Province, China

Website: www.rficy.com

Email: info@rficy.com