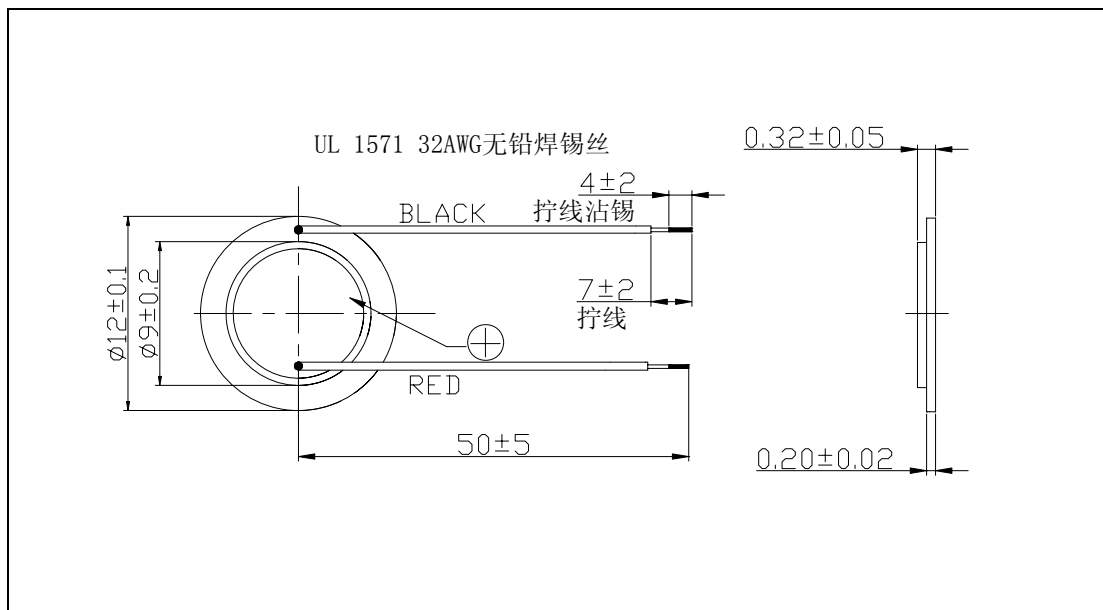


PIEZO ELEMENT SPECIFICATIONS

MODEL: AW1E12G-150EFL1Z

Resonant frequency	Fr	15.0±1.0KHz
Main electrostatic capacity	Cm	9000±30% pF at 1000Hz/1V 25°C
Feedback electrostatic capacity	Cf	-----
Resonant impedance	R	500 Ω MAX.
Metal plate material		SUS304
Metal plate diameter	mm	12.0±0.10
Metal plate thickness	mm	0.20±0.02
Ceramic diameter	mm	9.0±0.20
Total height	mm	0.32±0.05
Insulation resistance		100M Ω MIN.
Maximum input voltage		30Vp-p
Operating temperature range		-20°C to +70°C
Storage temperature range		-30°C to +80°C
Lead wires		UL 1571 AWG32#RED&BLACK

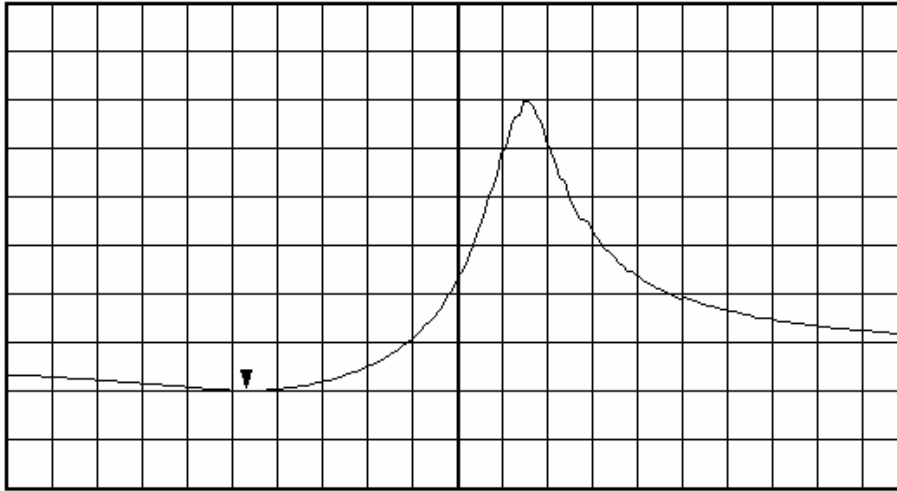
APPEARANCE AND DIMENSIONS:



Remark: The Pb in ceramic is exempt, other ingredients are all ROHS compliant

■ TYPICAL FREQUENCY RESPONSE CURVE

公司名称: **AUDIOWELL** 类型: **ELEMENT** 型号: **AW1E12G-150EL1**
 串联谐振 $F_r = 15060 \text{ Hz}$ 串联谐振 $R_r = 174.2 \Omega$
 并联谐振 $F_f = 16320 \text{ Hz}$ [暂 停] 并联谐振 $R_f = 8537.0 \Omega$
 最大幅度: 11350Ω 每格: 1400Ω [阻抗特性曲线]



频率 最小: 14000 Hz 最大: 18000 Hz 每格: 200 Hz 扫描: 20 Hz

■ MEASURING PROCEDURE

The node held with a measuring terminal, the resonant frequency and resonant impedance are measured in the constant-voltage circuit.

