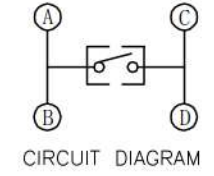
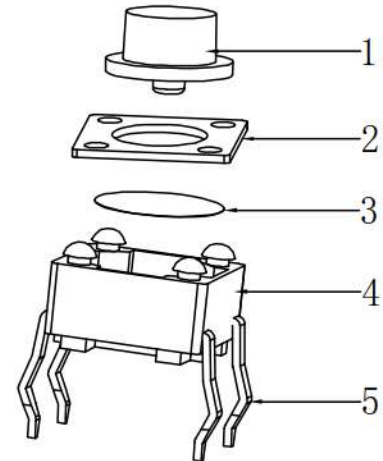
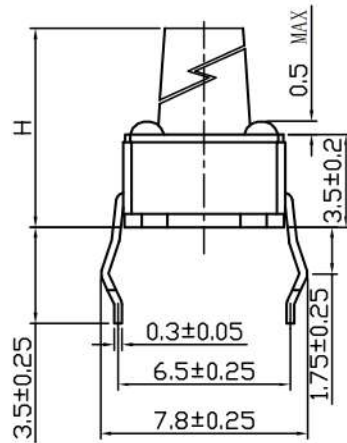
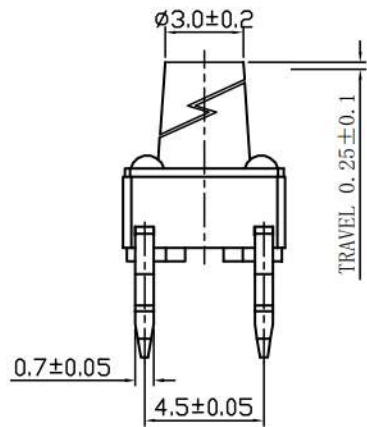
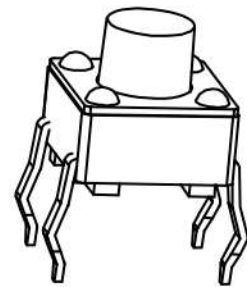
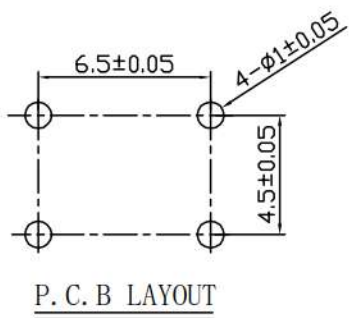
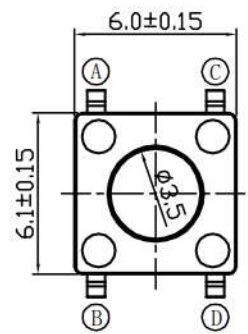


CAD FILE:



H(mm)	
4.3	
4.5	
5.0	
5.5	
6.0	
6.5	
7.0	
7.5	
8.0	✓
8.5	
9.0	
9.5	
10.0	
10.5	
11.0	
11.5	
12.0	
12.5	
13.0	
11.5	
12.0	
12.5	
13.0	
...	
18.0	



ELECTRICAL CHARACTERISTICS

1. RATING: DC 12V 0.05A
2. CONTACT RESISTANCE: 100mΩ MAX
3. INSULATION RESISTANCE: 100MΩ MIN
4. DIELECTRIC STRENGTH: AC 250V (50~60Hz)/60S

MECHANICAL CHARACTERISTICS

1. PRACTICAL TEMPERATURE RANG: -40℃~+85℃
2. OPERATING FORCE: 70±25gf
 120±30gf
 160±50gf
 250±50gf
 300±50gf
3. MECHANICAL LIFE: 100,000~1,000,000 cycles

8					TOLERANCE UNLESS SPECIFIED				
7									
6					WITHIN 1.5: ±0.1mm OVER 1.5: ±0.2mm ANGLES: ±2°	ISSUE	DATE	DESCRIPTIONS	APPD.
5	TERMINAL	BRASS	4	Ag PLATED					
4	CASE	PA66	1	BLACK	TITLE:TACT SWITCH SERIES	UNIT:mm		DRWG. NO.:	
3	SPRING(CONTACT)	SUS	1	Ag COVERED	MODEL NO: TC-00104 H=8.0mm	SCALE:4:1		DWN	
2	COVER	BRASS	1	Ni PLATED	XIAMEN JINBEILI ELECTRONICS CO.,LTD		CHK'D		
1	BUTTON	PA66	1	BLACK			APPD.		
NO.	DESCRIPTION	MATERIAL	QTY	PLATING					